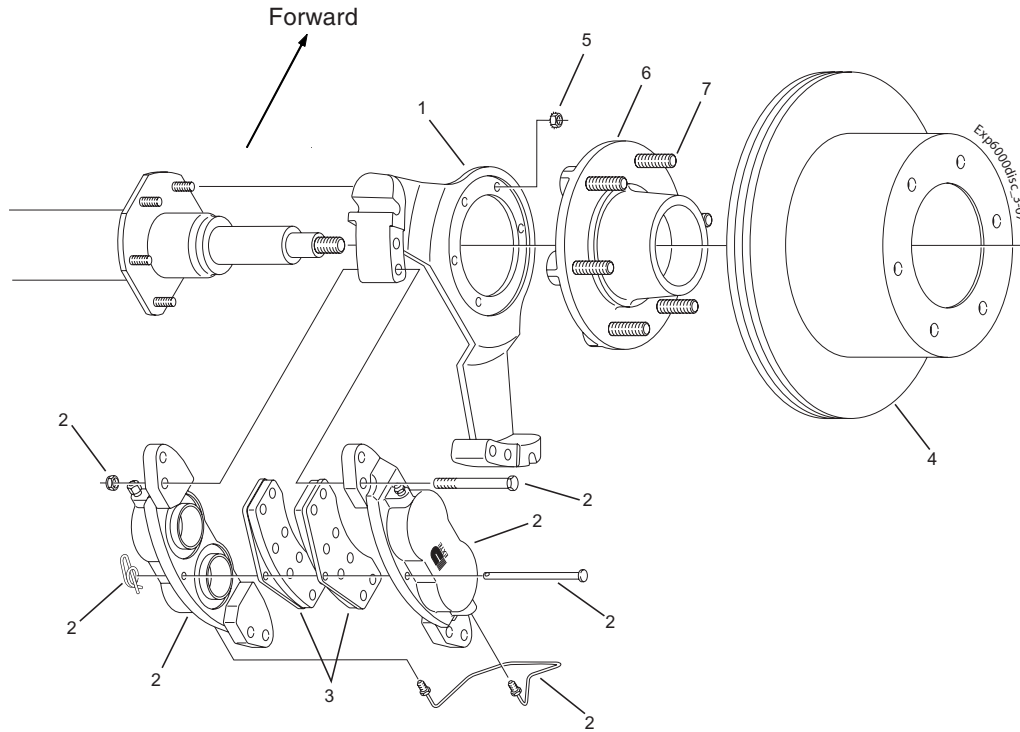


DISC BRAKE FOR 6,000 LB. AXLES



DISC BRAKE 6000#

Item	Part No.	Qty/Brk	Description
1	090-005-01	1	Anchor Yoke LH
	090-005-02	1	Anchor Yoke RH (shown)
2	K71-636-00	1	Caliper Assembly Kit for LH or RH includes:
	2 089-005-02		Assembled Caliper Half
	1 054-092-00		Bleeder Screw
	1 054-094-00		Adapter Fitting
	4 007-254-00		Caliper Mounting Bolt
	1 056-038-00		Pad Retaining Pin
	4 006-045-00		Caliper Mounting Nut
	1 019-019-00		Cotter Ring
	1 071-513-00		Cross Over Hydraulic Line (yokes without notch)
	1 071-517-00		Cross Over Hydraulic Line (yokes with notch)
3	K71-629-00	1	Brake Pad Kit (axle set)
4	K71-637-00	1	Rotor Kit
5	006-193-00	5	3/8" Brake Mounting Nut-Washer Assembly

DISC BRAKE 6000# WITH 42MM NEV-R-LUBE™

Item	Part No.	Qty/Brk	Description
1	090-006-01	1	Anchor Yoke LH
	090-006-02	1	Anchor Yoke RH
2	K71-636-00	1	Caliper Assembly Kit for LH or RH includes:
	2 089-005-02		Assembled Caliper Half
	1 054-092-00		Bleeder Screw
	1 054-094-00		Adapter Fitting
	4 007-254-00		Caliper Mounting Bolt
	1 056-038-00		Pad Retaining Pin
	4 006-045-00		Caliper Mounting Nut
	1 019-019-00		Cotter Ring
	1 071-513-00		Cross Over Hydraulic Line (yokes without notch)
	1 071-517-00		Cross Over Hydraulic Line (yokes with notch)
3	K71-629-00	1	Brake Pad Kit (axle set)
4	K71-637-00	1	Rotor Kit
5	006-193-00	5	3/8" Brake Mounting Nut-Washer Assembly

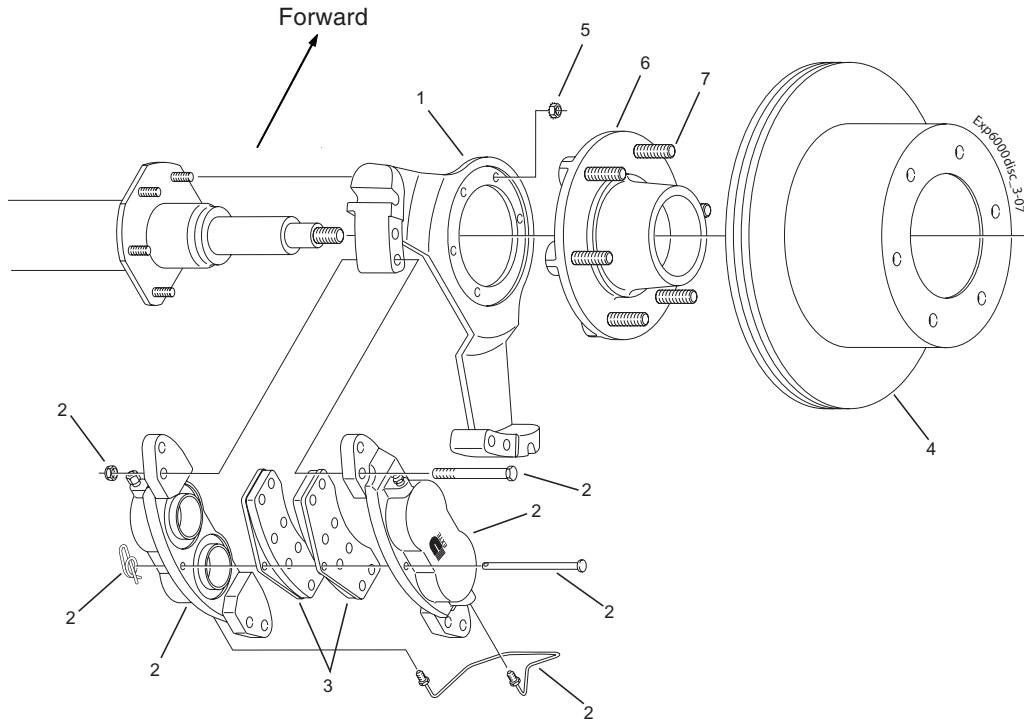
DISC BRAKE HUBS & STUDS

Item	Part No.	Qty/Brk	Description
6	008-403-05	1	Grease 1/2" Studs 6 on 5.50
7	007-262-00	6	1/2"-20 x 2.50" Press-in Stud

NEV-R-LUBE™ DISC BRAKE HUBS

Item	Part No.	Qty/Brk	Description
6	008-404-80	1	1/2" Studs, 42mm 6 on 5.50
7	007-262-00	6	1/2"-20 x 2.50" Press-in Stud

DISC BRAKE FOR 6,000 LB. AXLES



DISC BRAKE 6000#

Item	Part No.	Qty/Brk	Description
1	090-005-01	1	Anchor Yoke LH
	090-005-02	1	Anchor Yoke RH (shown)
2	K71-636-00	1	Caliper Assembly Kit for LH or RH includes:
	2 089-005-02		Assembled Caliper Half
	1 054-092-00		Bleeder Screw
	1 054-094-00		Adapter Fitting
	4 007-254-00		Caliper Mounting Bolt
	1 056-038-00		Pad Retaining Pin
	4 006-045-00		Caliper Mounting Nut
	1 019-019-00		Cotter Ring
	1 071-513-00		Cross Over Hydraulic Line (yokes without notch)
	1 071-517-00		Cross Over Hydraulic Line (yokes with notch)
3	K71-629-00	1	Brake Pad Kit (axle set)
4	K71-637-00	1	Rotor Kit
5	006-193-00	5	3/8" Brake Mounting Nut-Washer Assembly

DISC BRAKE HUBS & STUDS

Item	Part No.	Qty/Brk	Description
6	008-403-05	1	Grease 1/2" Studs 6 on 5.50
7	007-262-00	6	1/2"-20 x 2.50" Press-in Stud

DISC BRAKE 6000# WITH 42MM NEV-R-LUBE™

Item	Part No.	Qty/Brk	Description
1	090-006-01	1	Anchor Yoke LH
	090-006-02	1	Anchor Yoke RH
2	K71-636-00	1	Caliper Assembly Kit for LH or RH includes:
	2 089-005-02		Assembled Caliper Half
	1 054-092-00		Bleeder Screw
	1 054-094-00		Adapter Fitting
	4 007-254-00		Caliper Mounting Bolt
	1 056-038-00		Pad Retaining Pin
	4 006-045-00		Caliper Mounting Nut
	1 019-019-00		Cotter Ring
	1 071-513-00		Cross Over Hydraulic Line (yokes without notch)
	1 071-517-00		Cross Over Hydraulic Line (yokes with notch)
3	K71-629-00	1	Brake Pad Kit (axle set)
4	K71-637-00	1	Rotor Kit
5	006-193-00	5	3/8" Brake Mounting Nut-Washer Assembly

NEV-R-LUBE™ DISC BRAKE HUBS

Item	Part No.	Qty/Brk	Description
6	008-404-80	1	1/2" Studs, 42mm 6 on 5.50
7	007-262-00	6	1/2"-20 x 2.50" Press-in Stud

5500 - 7000 LBS. CAPACITY

DEXTER AXLE